

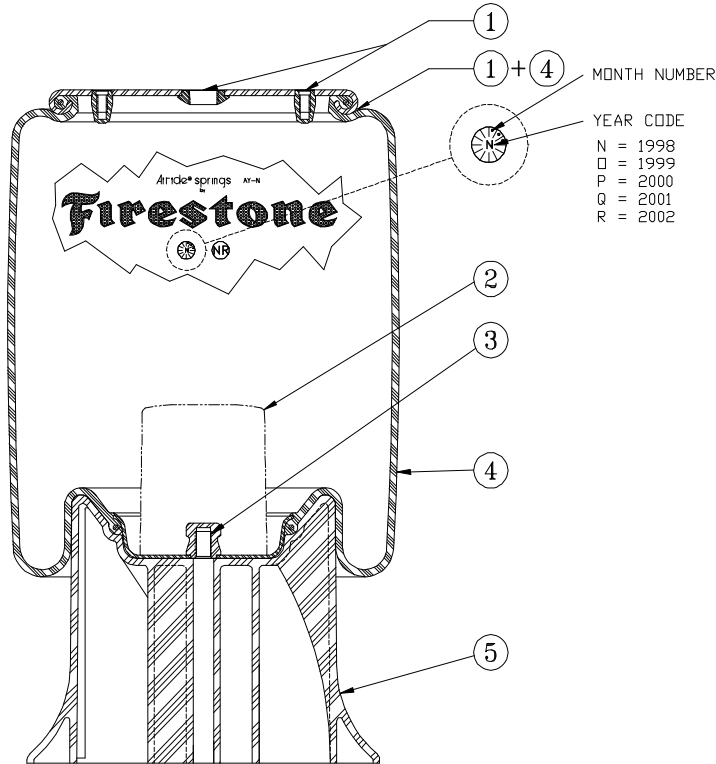
## Warranty Claim Form

(Customer to fill in)

<b>Cust. Name:</b>	<b>Cust. Ref No:</b>	<b>Date:</b>
<b>Invoice No (KC):</b>	<b>Style:</b>	<b>AON:</b>

(FSTN to Fill in)

**TM No:**



MONTH NUMBER  
YEAR CODE  
N = 1998  
O = 1999  
P = 2000  
Q = 2001  
R = 2002

Failure Area:      1      2      3      4      5      Please circle and indicate specific area on drawing

(1 = Top plate and fitting, 2 = Bump stop, 3 = Bump stud, 4 = Rubber bellows & 5 = Plastic piston)

Rubber Date:                      **N      O      P      Q      R      S**      Please circle  
(in disc on rubber bellows)

& Number of dots:                      ..... (1-12)                      Please enter

Explanation of failure mode:

.....  
 .....  
 .....  
 .....  
 .....

e.g.      Rubber bump stop (2) loose from bumper stud (3) inside assembly.  
          Air spring bellows (4) leaking at metal top plate (1).  
          Air fitting thread (1) damaged and/or metal top plate deformed.  
          Piston (5) broken or damaged.